

INSTALLATION INSTRUCTIONS

# OPEN CARTRIDGE KIT



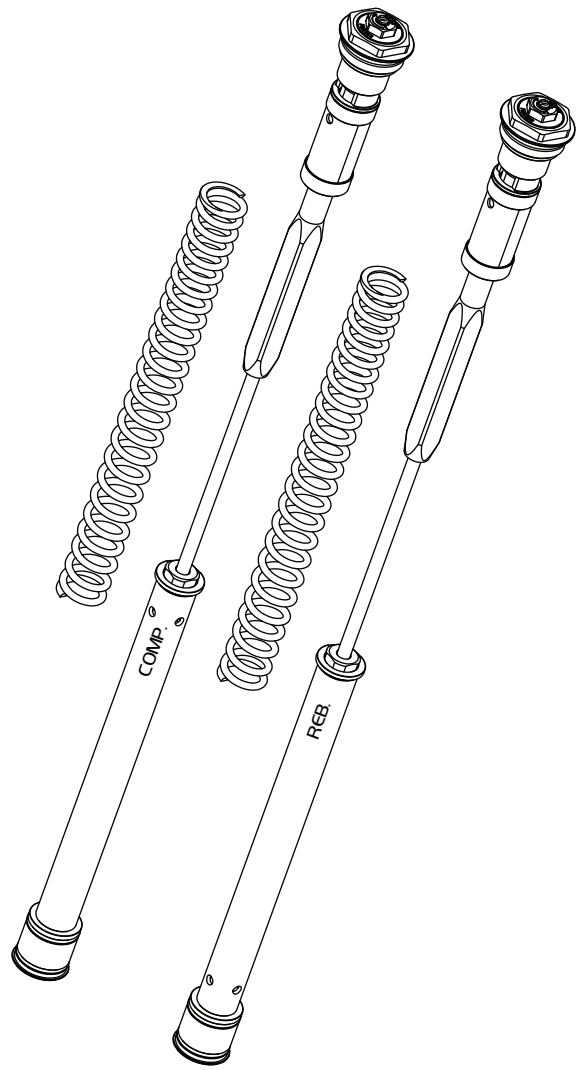
## Recommended Adjustment Setup Open Cartridge kit For YAMAHA YZF-R25/R3 '19

Compression Adjustment	15		Click
Rebound Adjustment	15		Click
Oil Height (Oil Level)	120		mm.
YSS Fork Fluid Number	5W, YSS RACING FLUID		-
Fork Spring	Softer	STD.	Harder
- Spring Rate (N/mm.)	7.5	8.0	8.5
- Preload Set (mm.)	ADJUSTABLE 7 - 17 MM		
- Part Number	LR320A0755320A0R	LR320A0805320A0R	LR320A0855320A0R

YSS VIDEO SUPPORT  
 INSTALLATION INSTRUCTION MANUAL  
[www.ysssuspension.com](http://www.ysssuspension.com)



[www.ysssuspension.com](http://www.ysssuspension.com)



WORLD CLASS SUSPENSION

## INSTALLATION INSTRUCTIONS



Y.S.S. (THAILAND) CO.,LTD.

88 / 88 M.9 SOI PHIKULTHONG

THEPHARAK RD, BANGPLA, BANGPHLI,

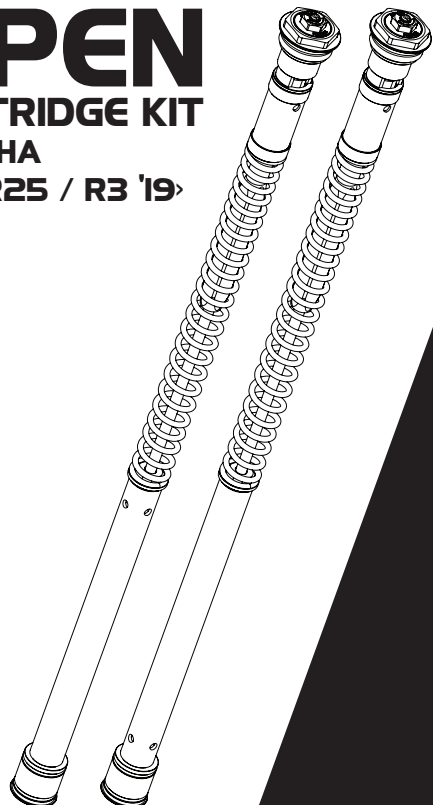
SAMUTPRAKARN 10540 THAILAND

TEL : +66 2763 8600 FAX : +66 2763 8829

[www.ysssuspension.com](http://www.ysssuspension.com)

[www.facebook.com/YSS-THAILAND](https://www.facebook.com/YSS-THAILAND)

# OPEN CARTRIDGE KIT YAMAHA YZF-R25 / R3 '19

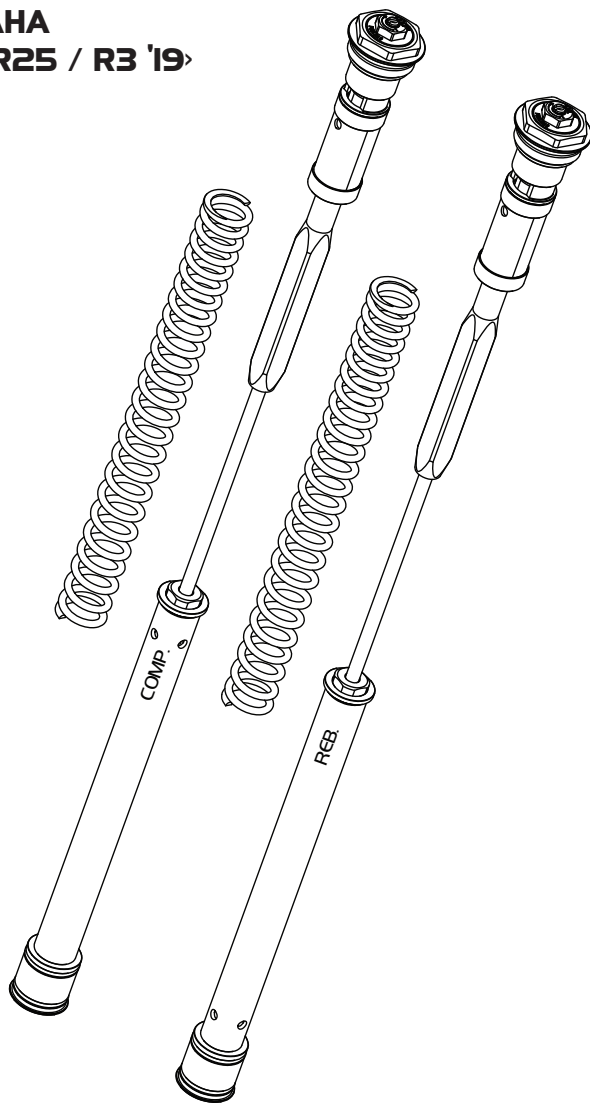


[www.ysssuspension.com](http://www.ysssuspension.com)

# OPEN CARTRIDGE KIT



**YAMAHA**  
**YZF-R25 / R3 '19**

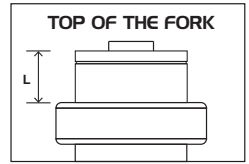


**! WARNING!**

YSS Cartridge Fork Kit must be Installed by an Authorized YSS Service Center

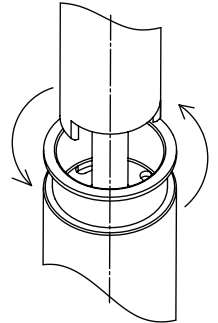
**REMOVE ORIGINAL FRONT FORK**

1. "Place the Motorcycle on the Centerstand so that the front wheel barely touches the ground."
2. "Remove Front Fender, Brake Calipers, Speed sensor (if present) and front wheel."
3. Release Main Spring Preload Fully
4. Note- Front Fork leg Position and Measure
5. Loosen Upper Triple Clamp Bolts
6. Loosen Lower Triple Clamp Bolts
7. Remove Front Fork Legs from Triple Clamps



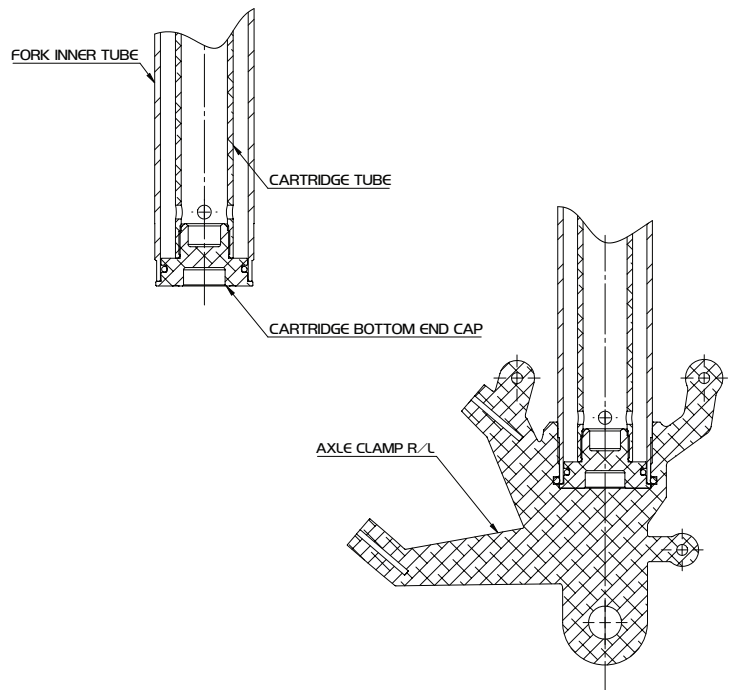
**DISASSEMBLE ORIGINAL FRONT FORK**

1. Loosen Top Cap from Outer Tube
2. Slide Outer Tube down until it stops.
3. "Remove Top Cap from Shaft according to instructions in the vehicle service manual."
4. Remove Main Spring and associated parts as per Vehicle Service Manual
5. Drain Front Fork leg of Suspension fluid.
6. Use Remove the Original Inner Tube Cap. (Spring Side)
7. Remove Original Dampening Assembly & Original Fork Spring
8. Remove Fork inner tube from The Axel Clamp Both Side. (Use Heat Gun At 600 °C / 5 Minute For Dissolution the Glue Lock)
9. Thoroughly Clean Inner Tube with a Quality Parts Cleaner.



**INSTALL YSS OPEN CARTRIDGE KIT**

1. "Remove Top Cap, Spring Support and Pre-load Tube."
2. Apply Assembly grease to the End Cap's O- Ring.
3. Install YSS Cartridge Kit On The End of Fork Inner Tube As per Picture.
4. Assembly The Fork Inner Tube With Cartridge To The Axle Clamp (Assembly Lock By Glue : Loctite 638)
5. Add YSS Fork Fluid and Set Oil Height according to table "Recommended Adjustment Setup". ((b) Using YSS Oil Level Suction Tool)
6. Install Spring Assembly and Spring Support.
7. Install [a] YSS Pull Up Tool and Compress Spring so as to enable fitting of [c] YSS 17 mm. Spanner, Remove Pull Up Tool
8. Install Top Cap and Torque to 15 Nm , Remove 17 mm YSS Spanner
9. Stroke Outer Tube to Bleed any Air out of the System.
10. Assemble Top Cap to Outer Tube and Torque to 10 Nm.
11. "Set Compression, Rebound and Main Spring adjusters according to table "Recommended Adjustment Setup".
12. Install Front Fork legs into Triple Clamps ,Set Fork Position, Torque bolts to Factory Service Manual Specifications
13. Remaining Installation, Refer to Factory Service Manual.



**INSTALL YSS OPEN CARTRIDGE KIT**

**! This Symbol Points out Important Safety Instructions which if not followed could endanger your Personal Safety. Read and follow all Instructions in this Installation manual and sny others provided with this equipment.**

**"Please note that there can be Small Differences between your product and the images in these instructions"**

**INCLUDED IN THIS CARTRIDGE KIT IS THE FOLLOWING :**

- Cartridge Kit
- Fork Springs
- Pre-Load Adjuster Spanner
- YSS Warranty Card

**YSS SPECIAL TOOLS.**

- |                               |             |
|-------------------------------|-------------|
| a. YSS M8 Pull up Tool        | OV99-070A90 |
| b. YSS Oil level Suction Tool | OV99-202-00 |
| c. YSS Spanner                | OV99-088A92 |
| d. YSS End Cap Removing Tool  | OV99-132-ZO |

**! WARNING!**

Before installing your YSS Product, Read the Instructions. Incorrect Installation will affect the Stability of your Motorcycle.

**CARTRIDGE KIT**

- Open Cartridge Kit
- Pre-Load Adjustable
- Compression and Rebound Adjustable