

**WORLD CLASS SUSPENSION**

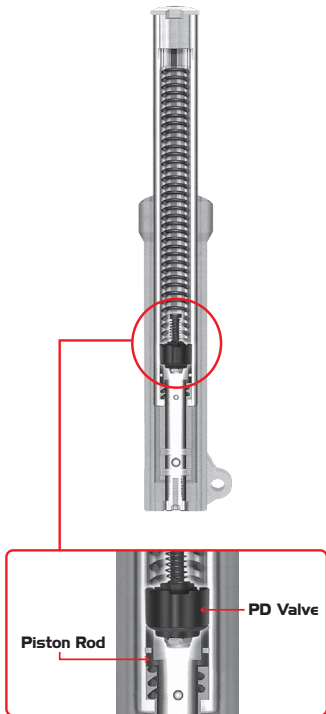
**WWW.YSSUSPENSION.COM**

**YSS**  
**SUSPENSION**

# **INSTRUCTION MANUAL PD FORK VALVE**



## INSTRUCTION MANUAL PD FORK VALVE



### Tools required

1. Allen key socket 8, 10, 12 or 14 mm.
2. Tape measure
3. Pipe cutter
4. YSS Fork oil

### Recommend

1. Choose correct fork spring for your motorcycle.  
**Consult YSS Service center or [www.ysssuspension.com](http://www.ysssuspension.com)**
2. Check the proper fit before installation

### Instruction

**Note : All these steps should be done by a Suspension Technician :**

1. Take off the fork from the motorbike.  
(Check how much the forks are through the triple clamp)
2. Remove the top fork cap
3. Take the fork spring out.
4. Take fork oil out
5. Install the fork fluid, use the oil viscosity as recommended by YSS manual or manufacturer.  
(10 W for standard or 15, 20 and 30 W for optional)
6. Pump the fork for bleeding
7. Drop YSS PD Valve down the tube to sit on the piston rod with the PD Valve spring facing up
8. Check the oil level (Oil Height) recommended by manual or manufacturer
9. Insert the fork spring into the inner tube on the top of YSS PD Valve
10. Put the fork spring spacer (cut them for 14-17 mm. same as the thickness of PD Valve, more or less depend on the fork spring preload requirement)
11. Recheck the spring preload
12. Install the fork cap
13. Assemble the fork back in to the motorcycle completely
14. Tighten all bolts
15. Push the front of the bike a few times before use

### Y.S.S. (THAILAND) CO.,LTD.

88/88 MOO 9 SOI PHIKULTHONG THEPHARAK RD.,  
BANGPLA, BANGPHU, SAMUTPRAKARN 10540 THAILAND  
TEL : +66 2763 8600, E-mail : [export@yss.co.th](mailto:export@yss.co.th)